

Technical data

Safety

Perfect load control and maneuverability in close surroundings is assured at all times. Linde archives this by placing the cabin in the raised rearward, optimised position to allow through-mast and direct visibility to the twistlock pick-up position. Visibility around the machine from the operator position is optimised by the utilisation of generous glass panels.

Performance

The finely tuned hydrostatic drive system delivers precision in operation balanced with optimised speed of performance. The stepless drive system ensures that acceleration through to top speed is without mechanical intervention.

Comfort

The operators cabin is mounted to a raised platform on high density rubber mounts, this ensures that drive and power train vibration, together with operational vibrations are suppressed thus provides the operator with a comfortable working place. The standard operators seat is equipped with hydraulic damping for additional cushioning.

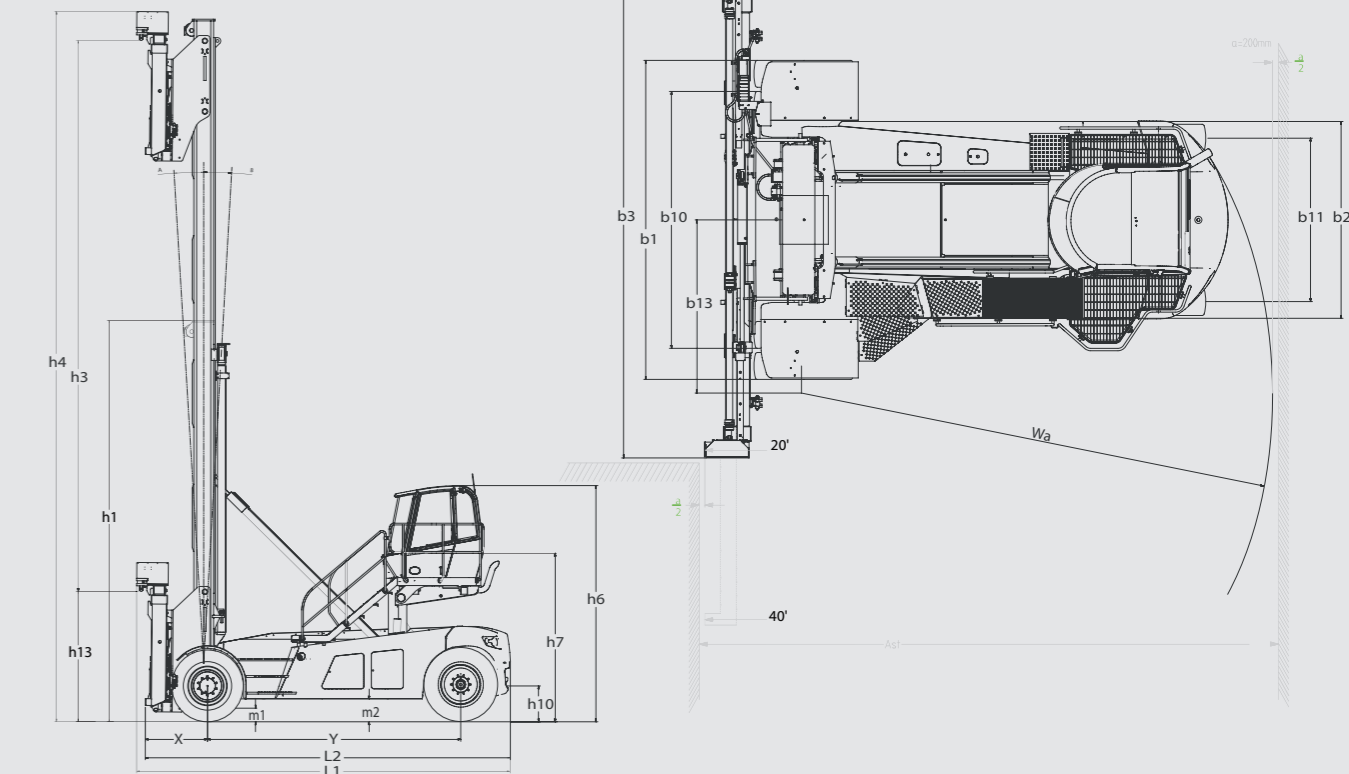
Reliability

The proven reputation of the hydrostatic drive systems coupled together with the power unit provide peace of mind for the drive system; the mast and lifting device has been thoroughly tested for endurance and security in operation

Productivity

With the utilisation of the world-class hydrostatic drive system, speed and precision in operation is assured, the operational characteristics of the twin pedal drive system, and Linde Load Control hydraulic operators controls, ensure that minimum operator movement is required to operate the machine, thereby saving time and limiting operator fatigue.

Characteristics	1.1	Manufacturer		LINDE	LINDE	LINDE	LINDE	
	1.2	Model designation		C90/5	C90/6	C90/7	C90/8	
	1.3	Power unit: battery, diesel, LP gas, mains power		Diesel	Diesel	Diesel	Diesel	
	1.4	Operation: manual, pedestrian, stand-on, seated, order picker		Rider seated	Rider seated	Rider seated	Rider seated	
	1.5	Load capacity	Q (t)	9	9	9	7	
	1.6	Load centre	C (mm)	1295	1295	1295	1295	
	1.8	Load centre distance	x (mm)	1127	1127	1127	1127	
	1.9	Wheelbase	y (mm)	4500	4500	4500	4500	
	Weight	2.1	Service weight	kg	34194	35473	35745	36717
2.2		Axle load with load, front/rear	kg	33245/9953	34323/10153	34472/10276	35231/10489	
2.3		Axle load without load, front/rear	kg	19336/14858	20383/15090	20584/15161	21313/15404	
Wheels and tyres	3.1	Tyres, front/rear (SE = superelastic, P = pneumatic)		P/P	P/P	P/P	P/P	
	3.2	Tyre size, front		12.00 x 24 20pr	12.00 x 24 20pr	12.00 x 24 20pr	12.00 x 24 20pr	
	3.3	Tyre size, rear		12.00 x 24 20pr	12.00 x 24 20pr	12.00 x 24 20pr	12.00 x 24 20pr	
	3.5	Wheels, number, front/rear (x=driven)		4x/2	4x/2	4x/2	4x/2	
	3.6	Track width, front	b10 (mm)	3300	3300	3300	3300	
	3.7	Track width, rear	b11 (mm)	2067	2067	2067	2067	
	Dimensions	4.1	Mast/fork carriage/truck tilt, forward/backward	α/β (°)	3/3.5	3/3.5	3/3.5	3/3.5
4.2		Height of mast, lowered	h1 (mm)	9283	10731	11111	12399	
4.4		Lift	h3 (mm)	12678	15574	16352	18926	
4.5		Height of mast, extended	h4 (mm)	15788	18684	19244	21818	
4.7		Height of overhead guard (cabin)	h5 (mm)	4179	4179	4179	4179	
4.8		Height, operator's seat/stand-on platform	h6 (mm)	2999	2999	2999	2999	
4.12		Towing coupling height	h7 (mm)	600	600	600	600	
4.15		Twistlock height lowered	h13 (mm)	2290	2290	2290	2290	
4.19		Overall length	l1 (mm)	6677	6677	6677	6677	
4.20		Length to fork face	l2 (mm)	6509	6509	6509	6509	
4.21		Overall width	b1/b2 (mm)	4000/2545	4000/2545	4000/2545	4000/2545	
4.24		Width of attachment 20' / 40'	s/e/l (mm)	6050/12150	6050/12150	6050/12150	6050/12150	
4.31		Ground clearance, mast	m1 (mm)	-	-	-	-	
4.32		Ground clearance, centre of wheelbase	m2 (mm)	342	342	342	342	
4.33		Aisle width with 20' container	Ast (mm)	9702	9702	9702	9702	
4.34		Aisle width with 40' container	Ast (mm)	14232	14232	14232	14232	
4.35		Turning radius	Wa (mm)	5792	5792	5792	5792	
4.36		Minimum pivoting point distance	b13 (mm)	2129	2129	2129	2129	
Performance		5.1	Travel speed, with/without load	km/h	25/26	25/26	25/26	25/26
		5.2	Lift speed, with/without load	m/s	0.58/0.58	0.58/0.58	0.58/0.58	0.58/0.58
		5.3	Lowering speed, with/without load	m/s	0.54/0.54	0.54/0.54	0.54/0.54	0.54/0.54
	5.5	Tractive force, with/without load	kN	86.7	86.7	86.7	86.7	
	5.7	Climbing ability, with/without load	%	17.6/-	17.6/-	17.6/-	17.6/-	
	5.9	Acceleration time, with/without load	s	5	5	5	5	
	5.10	Service brake		Wet disc	Wet disc	Wet disc	Wet disc	
	6.4	Battery voltage, rated capacity	V/Ah	2x 12/200	2x 12/200	2x 12/200	2x 12/200	
	Drive	7.1	Engine manufacturer/type		Cummins	Cummins	Cummins	Cummins
		7.2	Engine performance according to ISO 1585	kW	142	142	142	142
7.3		Rated speed	1/min	2200	2200	2200	2200	
7.4		Number of cylinders/displacement	/cm ³	6/6700	6/6700	6/6700	6/6700	
7.5		Fuel consumption - average	l/h	-	-	-	-	
Others	8.1	Type of drive control		Hydrostatic	Hydrostatic	Hydrostatic	Hydrostatic	
	8.2	Working pressure for attachments	bar	250	250	250	250	
	8.4	Noise level, at operator's ear, overhead guard/cab	dB (A)	/	/	/	/	
	8.5	Trailer coupling, design/type DIN	Ø (mm)	50	50	50	50	



C90 / 5					
8' container		8'6" container		9'6" container	
Q	Height (mm)	Q	Height (mm)	Q	Height (mm)
9 t	14628	9 t	12955	9 t	14480
9 t	12190	9 t	10364	9 t	11584
9 t	9752	9 t	7773	9 t	8688
9 t	7314	9 t	5182	9 t	5792
9 t	4876	9 t	2591	9 t	2896
to C = 1295 mm					

C90 / 6					
8' container		8'6" container		9'6" container	
Q	Height (mm)	Q	Height (mm)	Q	Height (mm)
9 t	17066	9 t	15546	9 t	17376
9 t	14628	9 t	12955	9 t	14480
9 t	12190	9 t	10364	9 t	11584
9 t	9752	9 t	7773	9 t	8688
9 t	7314	9 t	5182	9 t	5792
9 t	4876	9 t	2591	9 t	2896
to C = 1295 mm					

C90 / 7					
8' container		8'6" container		9'6" container	
Q	Height (mm)	Q	Height (mm)	Q	Height (mm)
9 t	17066	9 t	18137	9 t	20265
9 t	14628	9 t	15546	9 t	17376
9 t	12190	9 t	12955	9 t	14480
9 t	9752	9 t	10364	9 t	11584
9 t	7314	9 t	7773	9 t	8688
9 t	4876	9 t	5182	9 t	5792
9 t	2438	9 t	2591	9 t	2896
to C = 1295 mm					

C90 / 8					
8' container		8'6" container		9'6" container	
Q	Height (mm)	Q	Height (mm)	Q	Height (mm)
7 t	19508	7 t	20720	7 t	20265
9 t	17066	9 t	18137	9 t	17370
9 t	14628	9 t	15546	9 t	14480
9 t	12190	9 t	12955	9 t	11584
9 t	9752	9 t	10364	9 t	8688
9 t	7314	9 t	7773	9 t	5792
9 t	4876	9 t	5182	9 t	2896
to C = 1295 mm					

Standard and optional equipment

Standard equipment

Overhead guard
Hydraulic-suspension comfort-class seat with wide range of adjustment
Lockable, under seat storage box
Document storage bin – left side of seat
Linde twin drive pedals to control truck travel
Linde Central Load Control for low-effort precision control of all mast and sidelifte frame functions
Fixed angle steering wheel
Demand-controlled hydrostatic power steering, fuel-economizing, easy and precise response
High-performance hydraulic filter preserving maximum purity of oil for long life of all hydraulic components
Floor, mat
Glare free display including fuel gauge, clock, hour meter, servicing information and control lamps for all important truck functions

Engine intake air cleaner with integral safety element and high level dustbowl
Twistlock condition display for locked/unlocked/seated position with override switch
Abundant storage space for writing materials, beverage cans, etc.
Pneumatic tyres
Standard reverse section mast with 4 chain lift system
Integrated sidelifte frame with safety interlock, vertical twistlocks, extension 20'-40', sideshift +/- 300mm
Internal rear-view mirror
External rear-view mirrors
Audible warning reverse alarm
Standard Linde paint scheme

Options

Single drive pedal in combination with direction selector in armrest
Standard masts, 5 & 6 high 9' 6" and 7 and 8 high 8' 6" lift height
Overhead guard add-ons – Front screen, top window, rear window
Cabin with front, top and rear washer/wipers with heater
Deluxe cabin with climate control, heated seat, adjustable steering column, roof and front screen blinds, front, top and rear washer/wipers
Seat incorporating air suspension with compressor
Individual levers – lift and tilt
Individual levers – extension/retraction, sideshift
Radio with compact disc player and speakers

Truck lights, work lamps
Heated mirrors
Engine air pre-cleaner
Beacon lamps
Adjustable steering column
Blinds – roof and front screen
Accumulator for hydraulic service
On-board battery charger
High level air intake for heating system
Custom paintwork
+/- 600mm sideshift
Other special features on request



Empty Container Handler
Capacity 9000 kg
4500mm wheelbase
C90/5 – C90/8

SERIES 318

Linde Material Handling

Linde

Features

Power and drive system

- Linde hydrostatic drive system providing stepless, precise operator control.
- Low speed, high torque diesel engine matched to hydrostatic drive and hydraulic service pump requirements

Double pedal operation

- Instant direction change
- Precise travel movement
- Reduces operator foot movement



Operators controls

- Linde load central control lever
- Twin pedal drive system
- Column mounted handbrake
- Centre emergency brake pedal
- Centralised glare-free multifunction display



Linde Load Control

- Standard operator controls providing effortless operation
- Twin pedal drive system
- Linde load central control lever
- Reduced operator fatigue



Linde Truck control

- Reliable electronic controller
- High dependability resulting from redundant monitoring systems
- Automatic control of engine speed as function of load
- Casing totally enclosed for protection from dust and dirt

Operators compartement

- Raised, rear positioned for optimised all-round visibility, and free-sight to the twistlocks at all lift heights
- Impact tested loadguard structure
- Access stairway and platform on left
- Emergency ladder and platform on right

Modern powerful engine

- Diesel motor stage 3a emissions
- 6-cylinder 6.7 ltr 142 kW rated at 2200rpm
- Maximum torque 931@1400rpm



Linde free-sight mast

- Unique mast profile developed to control load forces normally found in empty container handling
- Optimised forward visibility by placing all operational parts outside of mast profile
- 20'-40' integrated telescopic handler with vertical fully-floating twistlocks and electronic safety interlock system